

Question 1: a = isLongerThan("n",4)

Call Frames

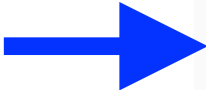
| | |
|--------------|-------------------------|
| isLongerThan | 7 8 10 11 12 |
| s | 'n' |
| n | 4 |
| length | 1 |
| Return | False |

Global Space

| | |
|---|-------|
| a | False |
|---|-------|

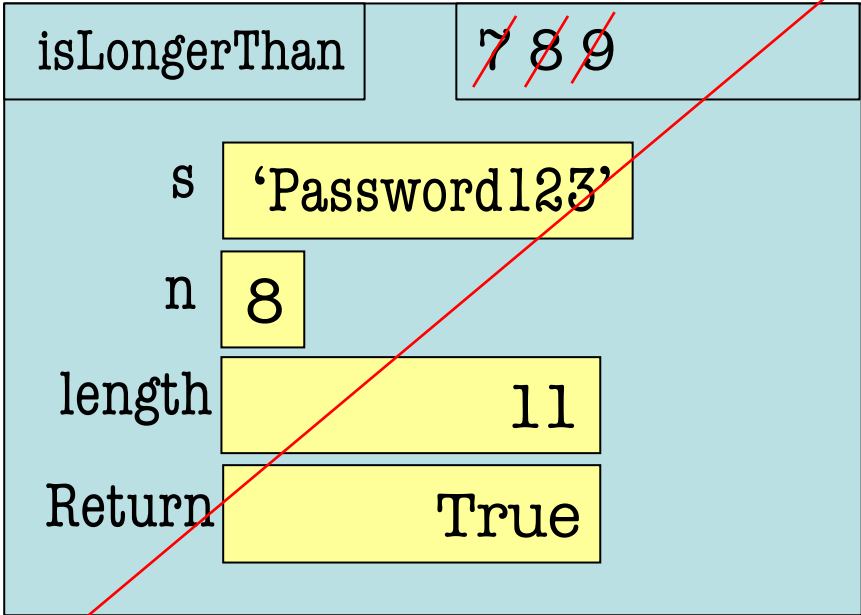
The answer to Question 1.2 is C.

The variable `a` is created:

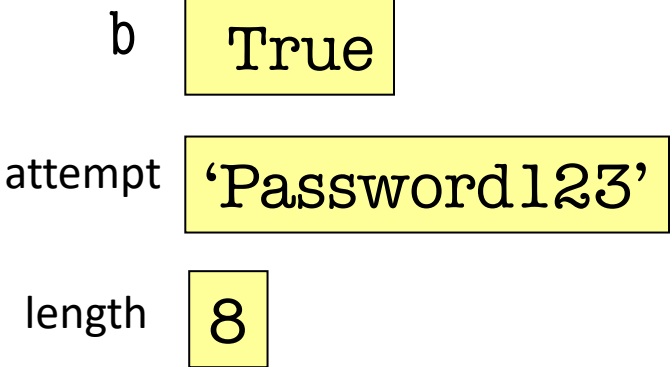
- A) When Python executes line 1.
- B) Just before Python calls `isLongerThan`.
-  C) Just after Python returns from `isLongerThan`.
- D) The time of creation could change each time the code is executed.
- E) There is not enough information given to answer the question.

Question 2: `b = isLongerThan(attempt,length)`

Call Frames

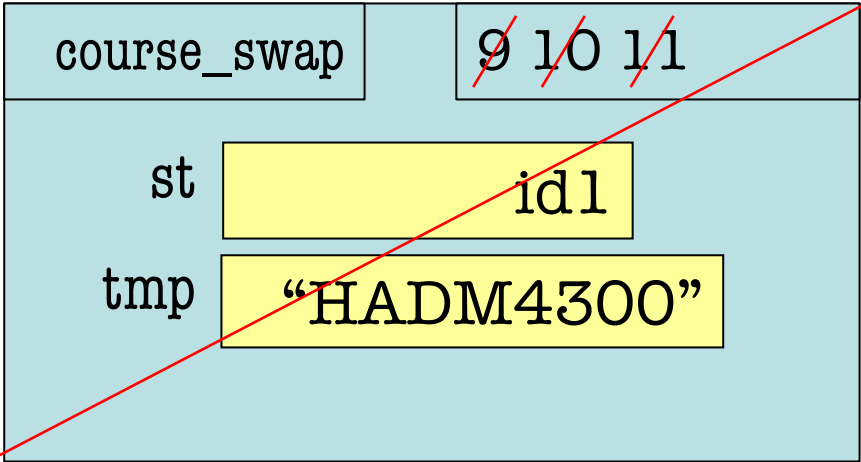


Global Space



Question 3: course_swap(s1)

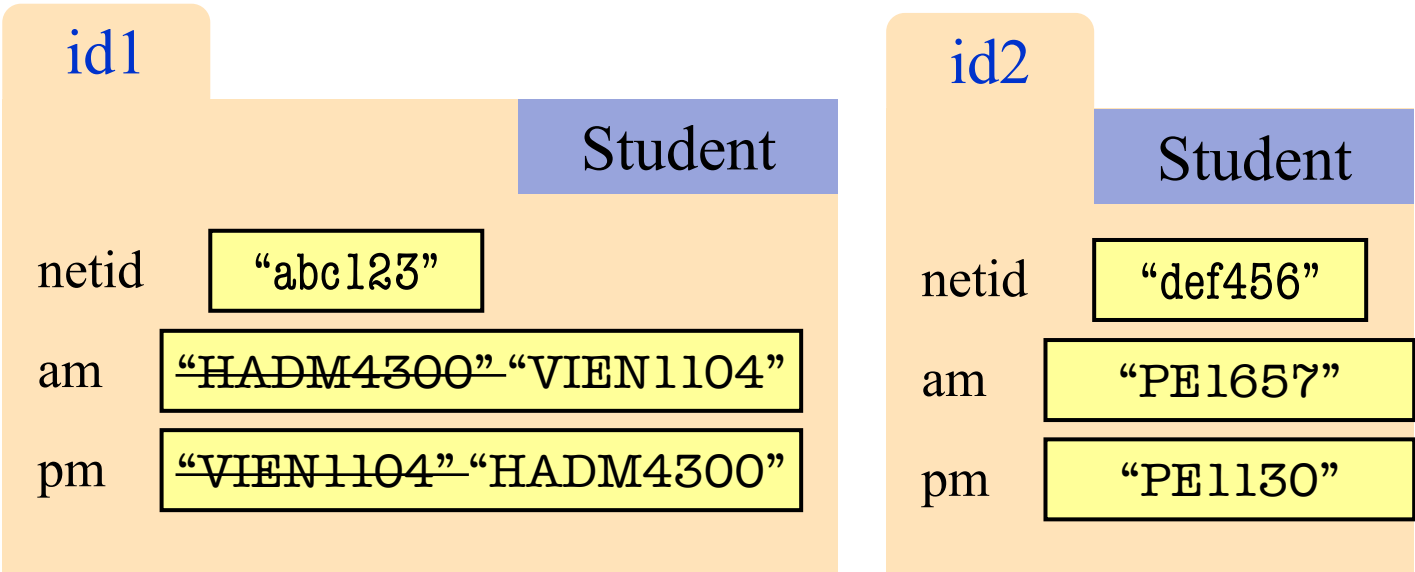
Call Frames



Global Space

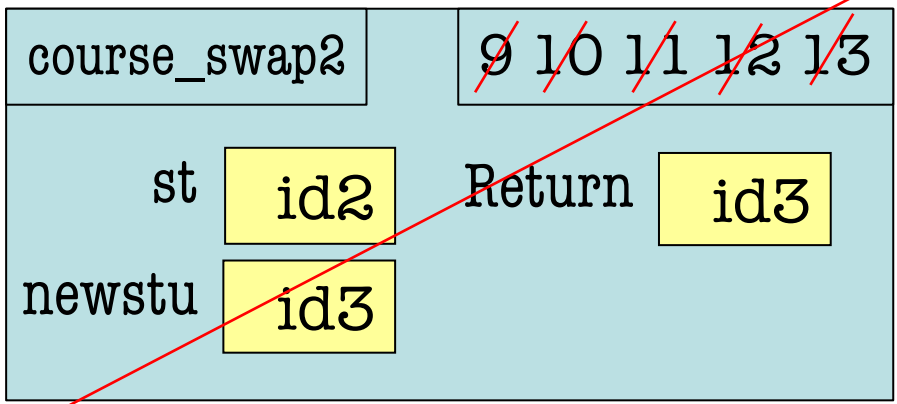


Heap Space

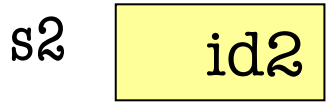
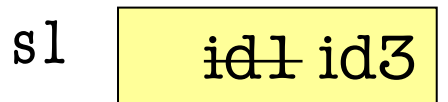


Question 4: s1 = course_swap2(s2)

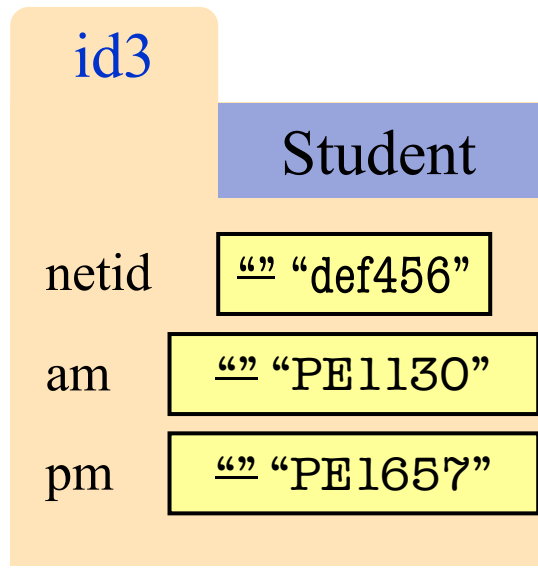
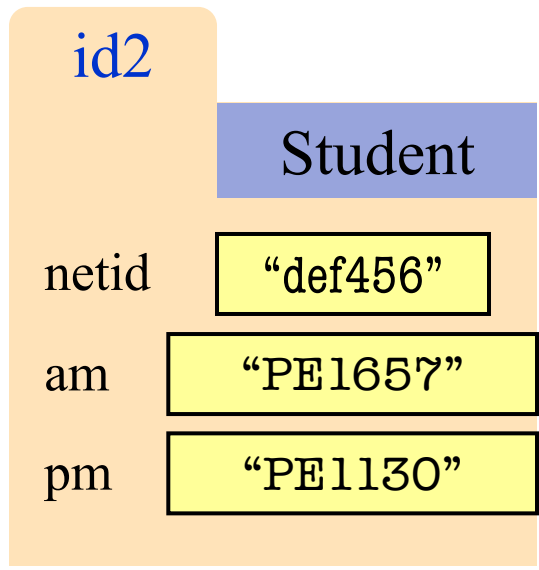
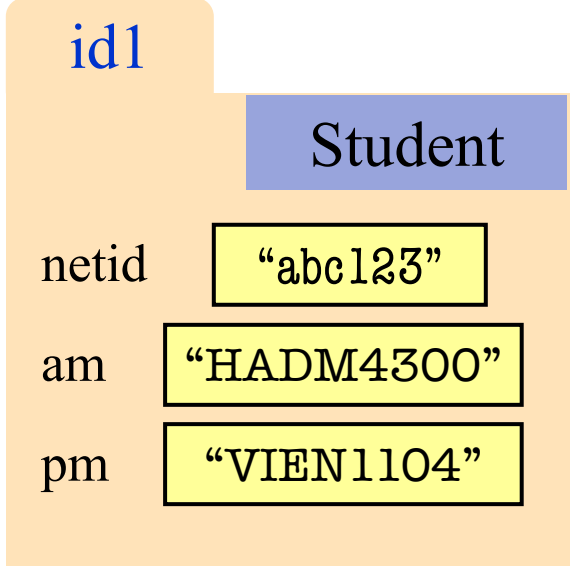
Call Frames



Global Space



Heap Space



Question 5

```
1 def alphabetize(word1, word2):
2     one_two = word1 + " " + word2
3     two_one = word2 + " " + word1
4     if (word1 < word2):
5         return one_two
6     return two_one
```

Note: Although the right solution works, this has worse style. Please use the above solution.

```
1 def alphabetize(word1, word2):
2     one_two = word1 + " " + word2
3     two_one = word2 + " " + word1
4     if (word1 < word2):
5         return one_two
6     else: return two_one
```