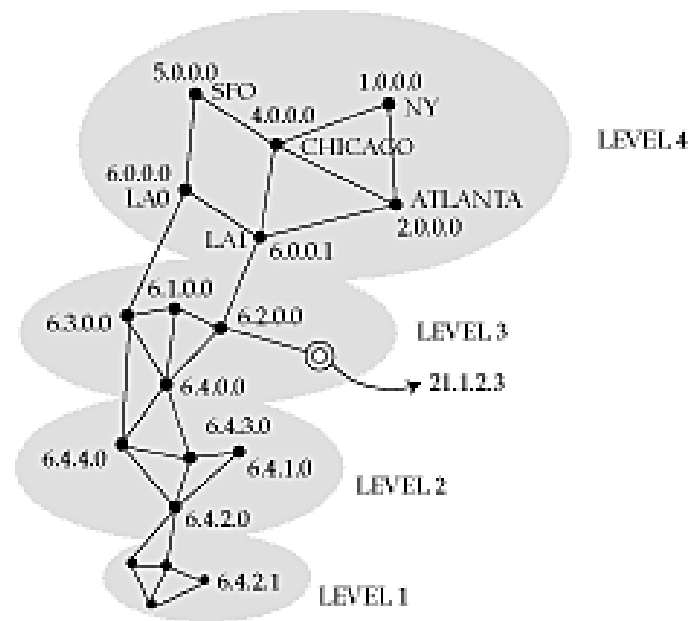


Switching

An Engineering Approach to Computer Networking

What is it all about?

- How do we move traffic from one part of the network to another?
- Connect end-systems to switches, and switches to each other
- Data arriving to an input port of a switch have to be moved to one or more of the output ports



Types of switching elements

- Telephone switches
 - ◆ switch samples
- Datagram routers
 - ◆ switch datagrams
- ATM switches
 - ◆ switch ATM cells

Classification

■ Packet vs. circuit switches

- ◆ packets have headers and samples don't

■ Connectionless vs. connection oriented

- ◆ connection oriented switches need a call setup
- ◆ setup is handled in *control plane* by *switch controller*
- ◆ connectionless switches deal with *self-contained* datagrams

	<i>Connectionless (router)</i>	<i>Connection-oriented (switching system)</i>
Packet switch	Internet router	ATM switching system
Circuit switch		Telephone switching system

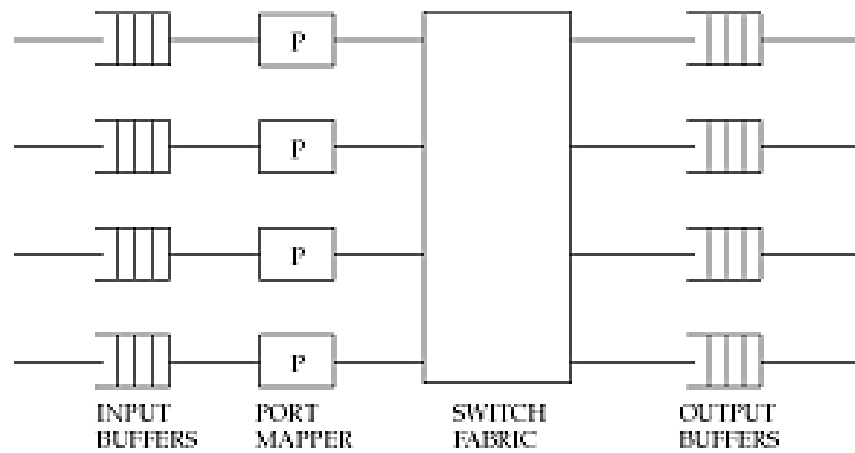
Other switching element functions

- Participate in routing algorithms
 - ◆ to build routing tables
- Resolve contention for output trunks
 - ◆ scheduling
- Admission control
 - ◆ to guarantee resources to certain streams
- We'll discuss these later
- Here we focus on pure data movement

Requirements

- Capacity of switch is the maximum rate at which it can move information, assuming all data paths are simultaneously active
- Primary goal: **maximize capacity**
 - ◆ subject to cost and reliability constraints
- Circuit switch must reject call if can't find a path for samples from input to output
 - ◆ goal: **minimize call blocking**
- Packet switch must reject a packet if it can't find a buffer to store it awaiting access to output trunk
 - ◆ goal: **minimize packet loss**
- **Don't reorder** packets

A generic switch



Outline

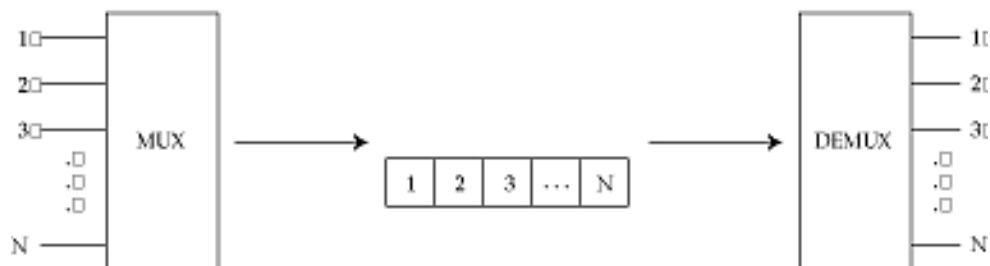
- Circuit switching
- Packet switching
 - ◆ Switch generations
 - ◆ Switch fabrics
 - ◆ Buffer placement
 - ◆ Multicast switches

Circuit switching

- Moving 8-bit samples from an input port to an output port
- Recall that samples have no headers
- Destination of sample depends on *time* at which it arrives at the switch
 - ◆ actually, relative order within a *frame*
- We'll first study something simpler than a switch: a multiplexor

Multiplexors and demultiplexors

- Most trunks time division multiplex voice samples
- At a central office, trunk is demultiplexed and distributed to active circuits
- Synchronous multiplexor
 - ◆ N input lines
 - ◆ Output runs N times as fast as input



More on multiplexing

- Demultiplexor
 - ◆ one input line and N outputs that run N times slower
 - ◆ samples are placed in output buffer in round robin order
- Neither multiplexor nor demultiplexor needs addressing information (why?)
- Can cascade multiplexors
 - ◆ need a standard
 - ◆ example: DS hierarchy in the US and Japan

Inverse multiplexing

- Takes a high bit-rate stream and scatters it across multiple trunks
- At the other end, combines multiple streams
 - ◆ resequencing to accommodate variation in delays
- Allows high-speed virtual links using existing technology

A circuit switch

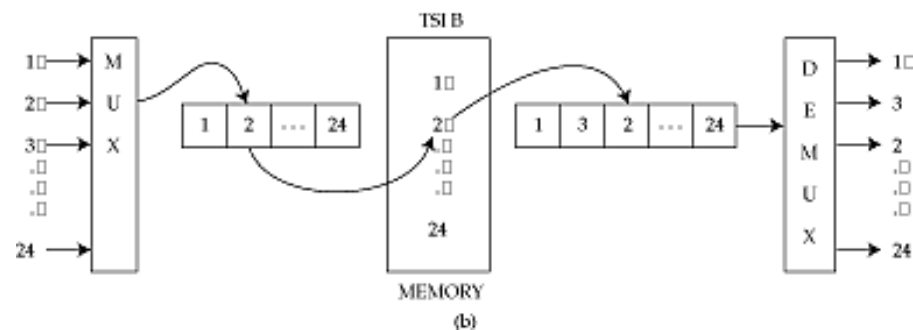
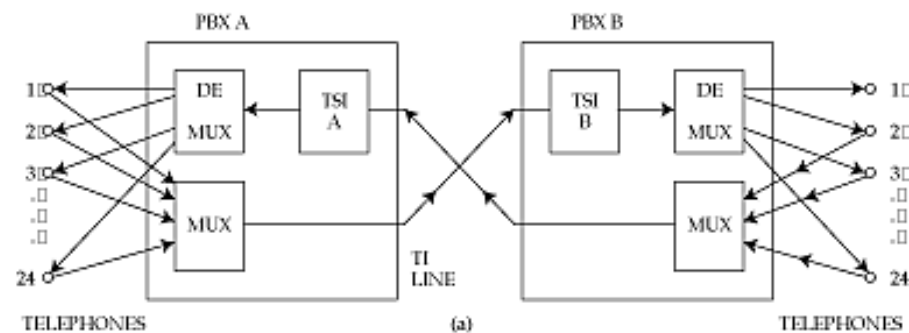
- A switch that can handle N calls has N logical inputs and N logical outputs
 - ◆ N up to 200,000
- In practice, input trunks are multiplexed
 - ◆ example: DS3 trunk carries 672 simultaneous calls
- Multiplexed trunks carry *frames* = set of samples
- Goal: extract samples from frame, and depending on position in frame, switch to output
 - ◆ each incoming sample has to get to the right output line and the right slot in the output frame
 - ◆ demultiplex, switch, multiplex

Call blocking

- Can't find a path from input to output
- Internal blocking
 - ◆ slot in output frame exists, but no path
- Output blocking
 - ◆ no slot in output frame is available
- Output blocking is reduced in *transit* switches
 - ◆ need to put a sample in one of *several* slots going to the desired next hop

Time division switching

- Key idea: when demultiplexing, position in frame determines output trunk
- Time division switching interchanges sample position within a frame: time slot interchange (TSI)

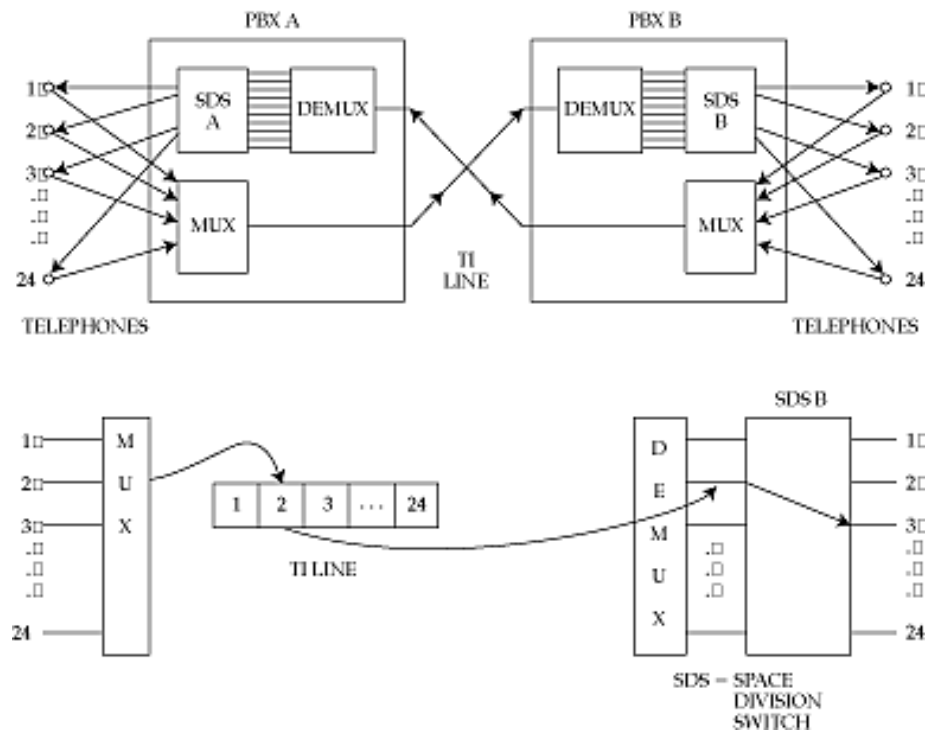


How large a TSI can we build?

- Limit is time taken to read and write to memory
- For 120,000 circuits
 - ◆ need to read and write memory once every 125 microseconds
 - ◆ each operation takes around 0.5 ns => impossible with current technology
- Need to look to other techniques

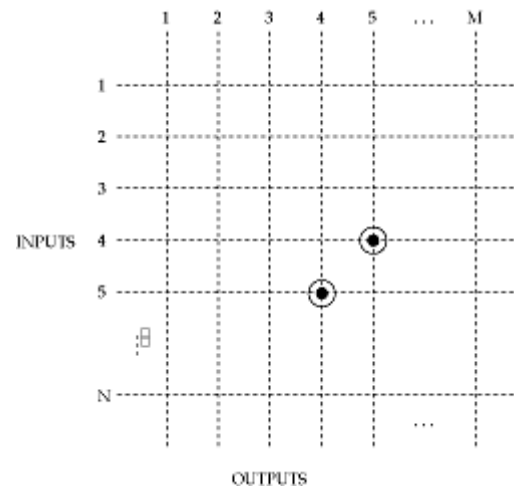
Space division switching

- Each sample takes a different path though the switch, depending on its destination



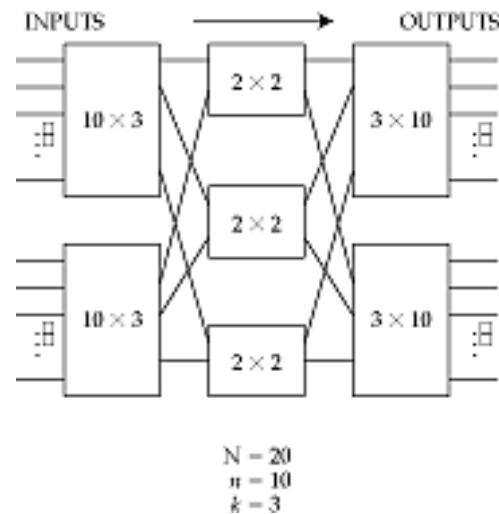
Crossbar

- Simplest possible space-division switch
- *Crosspoints* can be turned on or off
- For multiplexed inputs, need a switching *schedule* (why?)
- Internally nonblocking
 - ◆ but need N^2 crosspoints
 - ◆ time taken to set each crosspoint grows quadratically
 - ◆ vulnerable to single faults (why?)



Multistage crossbar

- In a crossbar during each switching time only one crosspoint per row or column is active
- Can save crosspoints if a crosspoint can attach to more than one input line (why?)
- This is done in a multistage crossbar
- Need to rearrange connections every switching time

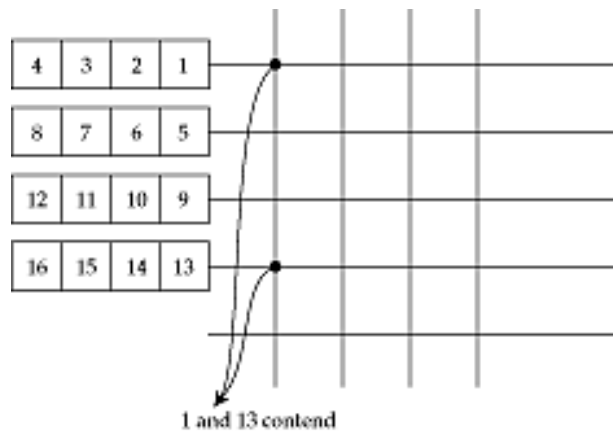


Multistage crossbar

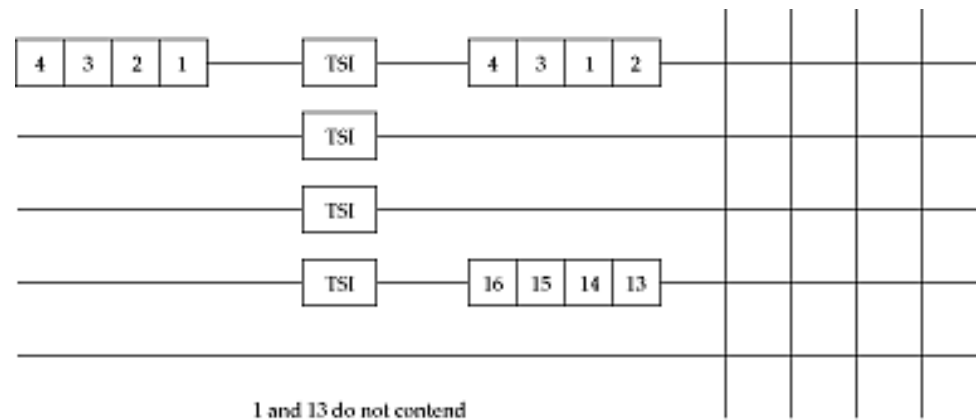
- Can suffer internal blocking
 - ◆ unless sufficient number of second-level stages
- Number of crosspoints $< N^2$
- Finding a path from input to output requires a depth-first-search
- Scales better than crossbar, but still not too well
 - ◆ 120,000 call switch needs ~250 million crosspoints

Time-space switching

- Precede each input trunk in a crossbar with a TSI
- Delay samples so that they arrive at the right time for the space division switch's schedule



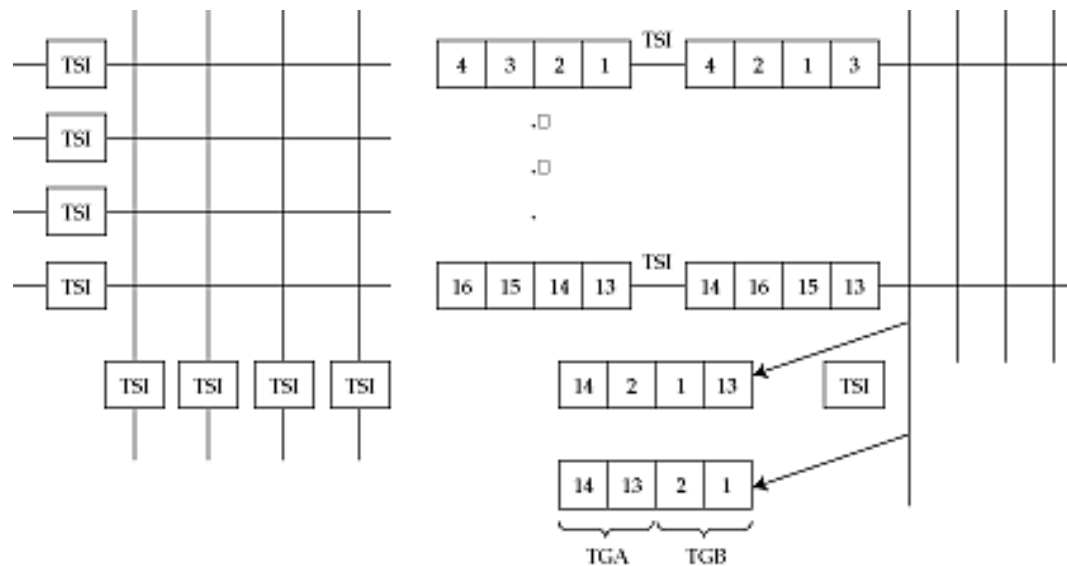
(a)



(b)

Time-space-time (TST) switching

- Allowed to flip samples both on input and output trunk
- Gives more flexibility => lowers call blocking probability



Outline

- Circuit switching
- Packet switching
 - ◆ Switch generations
 - ◆ Switch fabrics
 - ◆ Buffer placement
 - ◆ Multicast switches

Packet switching

- In a circuit switch, path of a sample is determined at time of connection establishment
- No need for a sample header--position in frame is enough
- In a packet switch, packets carry a destination field
- Need to look up destination port on-the-fly
- Datagram
 - ◆ lookup based on entire destination address
- Cell
 - ◆ lookup based on VCI
- Other than that, very similar

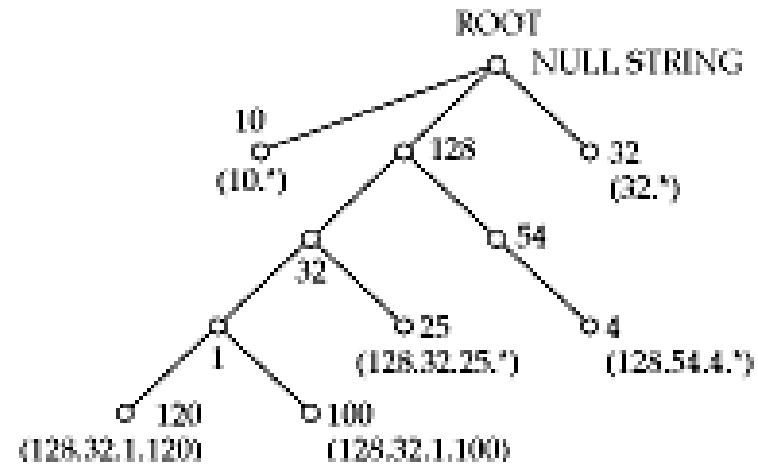
Repeaters, bridges, routers, and gateways

- Repeaters: at physical level
- Bridges: at datalink level (based on MAC addresses) (L2)
 - ◆ discover attached stations by listening
- Routers: at network level (L3)
 - ◆ participate in routing protocols
- Application level gateways: at application level (L7)
 - ◆ treat entire network as a single hop
 - ◆ e.g mail gateways and transcoders
- Gain functionality at the expense of forwarding speed
 - ◆ for best performance, push functionality as low as possible

Port mappers

- Look up output port based on destination address
- Easy for VCI: just use a table
- Harder for datagrams:
 - ◆ need to find *longest prefix match*
 - ◆ e.g. packet with address 128.32.1.20
 - ◆ entries: (128.32.*, 3), (128.32.1.*, 4), (128.32.1.20, 2)
- A standard solution: trie

Tries



- Two ways to improve performance
 - ◆ cache recently used addresses in a CAM
 - ◆ move common entries up to a higher level (match longer strings)

Blocking in packet switches

- Can have both internal and output blocking
- Internal
 - ◆ no path to output
- Output
 - ◆ trunk unavailable
- Unlike a circuit switch, cannot predict if packets will block (why?)
- If packet is blocked, must either buffer or drop it

Dealing with blocking

- Overprovisioning
 - ◆ internal links much faster than inputs
- Buffers
 - ◆ at input or output
- Backpressure
 - ◆ if switch fabric doesn't have buffers, prevent packet from entering until path is available
- Parallel switch fabrics
 - ◆ increases effective switching capacity

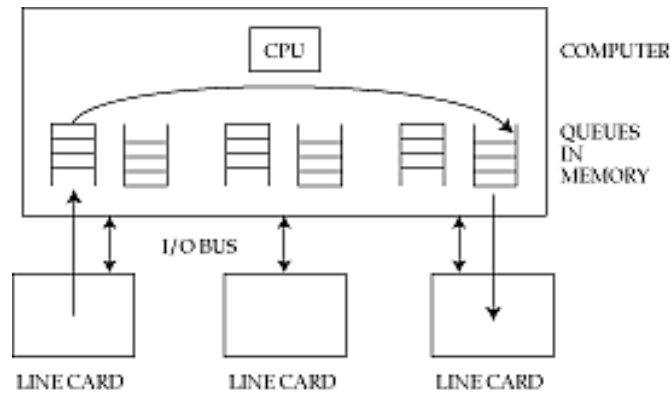
Outline

- Circuit switching
- Packet switching
 - ◆ Switch generations
 - ◆ Switch fabrics
 - ◆ Buffer placement
 - ◆ Multicast switches

Three generations of packet switches

- Different trade-offs between cost and performance
- Represent evolution in switching capacity, rather than in technology
 - ◆ With same technology, a later generation switch achieves greater capacity, but at greater cost
- All three generations are represented in current products

First generation switch



- Most Ethernet switches and cheap packet routers
- Bottleneck can be CPU, host-adaptor or I/O bus, depending

Example

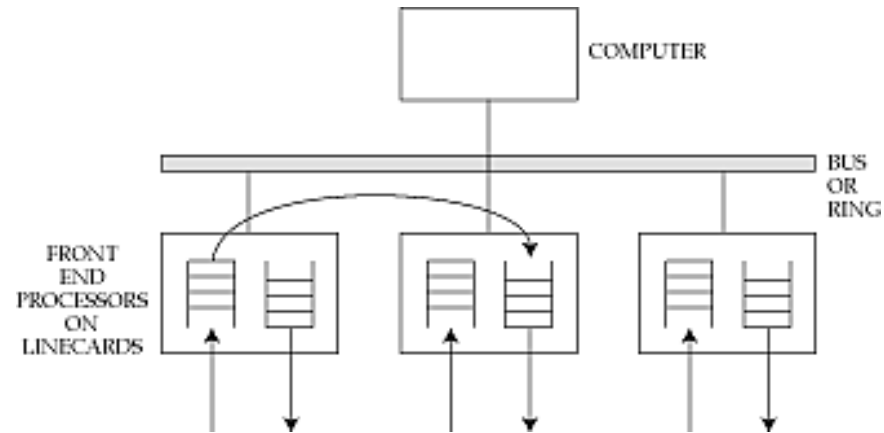
- First generation router built with 133 MHz Pentium
 - ◆ Mean packet size 500 bytes
 - ◆ Interrupt takes 10 microseconds, word access take 50 ns
 - ◆ Per-packet processing time takes 200 instructions = 1.504 μ s

- Copy loop

```
register <- memory[read_ptr]
memory [write_ptr] <- register
read_ptr <- read_ptr + 4
write_ptr <- write_ptr + 4
counter <- counter -1
if (counter not 0) branch to top of loop
```

- 4 instructions + 2 memory accesses = 130.08 ns
- Copying packet takes $500/4 * 130.08 = 16.26 \mu$ s; interrupt 10 μ s
- Total time = 27.764 μ s => speed is 144.1 Mbps
- Amortized interrupt cost balanced by routing protocol cost

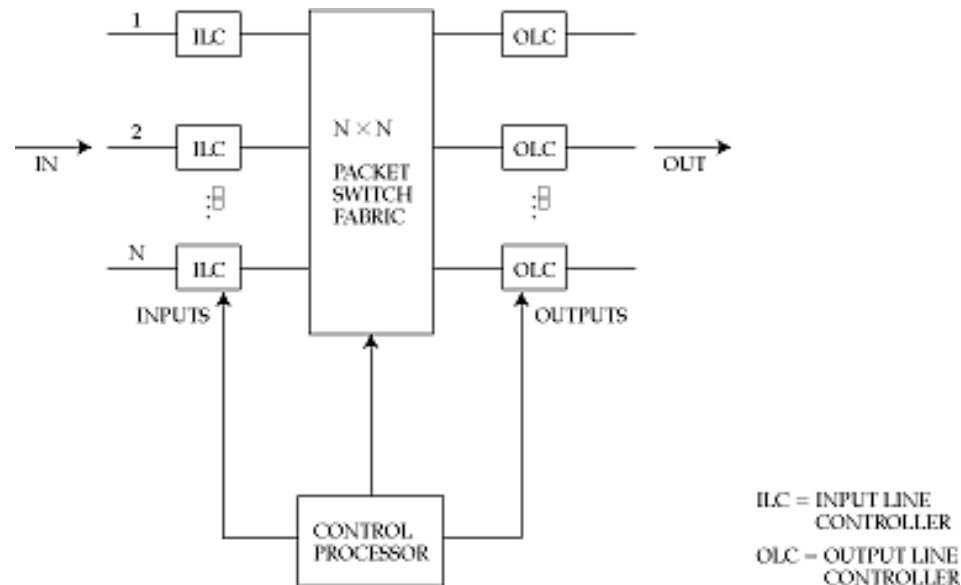
Second generation switch



- Port mapping intelligence in line cards
- ATM switch guarantees hit in lookup cache
- *Ipsilon IP switching*
 - ◆ assume underlying ATM network
 - ◆ by default, assemble packets
 - ◆ if detect a flow, ask upstream to send on a particular VCI, and install entry in port mapper => implicit signaling

Third generation switches

- Bottleneck in second generation switch is the bus (or ring)
- Third generation switch provides parallel paths (fabric)



Third generation (contd.)

■ Features

- ◆ self-routing fabric
- ◆ output buffer is a point of contention
 - ◆ unless we *arbitrate* access to fabric
- ◆ potential for unlimited scaling, as long as we can resolve contention for output buffer

Outline

- Circuit switching
- Packet switching
 - ◆ Switch generations
 - ◆ **Switch fabrics**
 - ◆ Buffer placement
 - ◆ Multicast switches

Switch fabrics

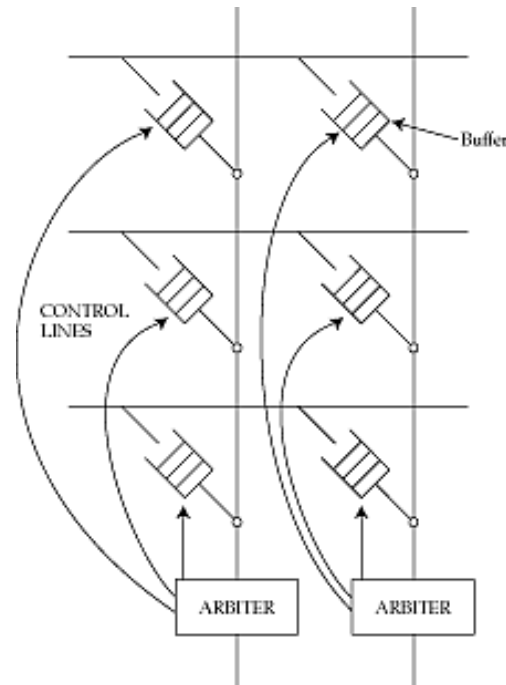
- Transfer data from input to output, ignoring scheduling and buffering
- Usually consist of links and *switching elements*

Crossbar

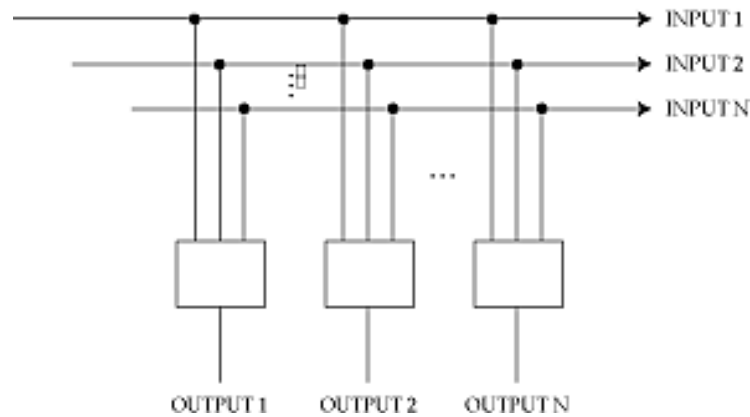
- Simplest switch fabric
 - ◆ think of it as $2N$ buses in parallel
- Used here for *packet* routing: crosspoint is left open long enough to transfer a packet from an input to an output
- For fixed-size packets and known arrival pattern, can compute schedule in advance
- Otherwise, need to compute a schedule on-the-fly (what does the schedule depend on?)

Buffered crossbar

- What happens if packets at two inputs both want to go to same output?
- Can defer one at an input buffer
- Or, buffer crosspoints



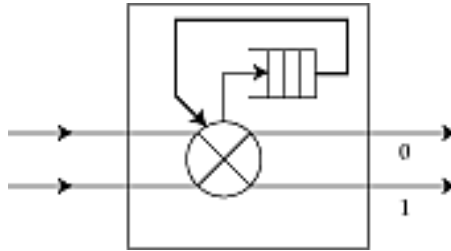
Broadcast



- Packets are tagged with output port #
- Each output matches tags
- Need to match N addresses in parallel at each output
- Useful only for small switches, or as a stage in a large switch

Switch fabric element

- Can build complicated fabrics from a simple element



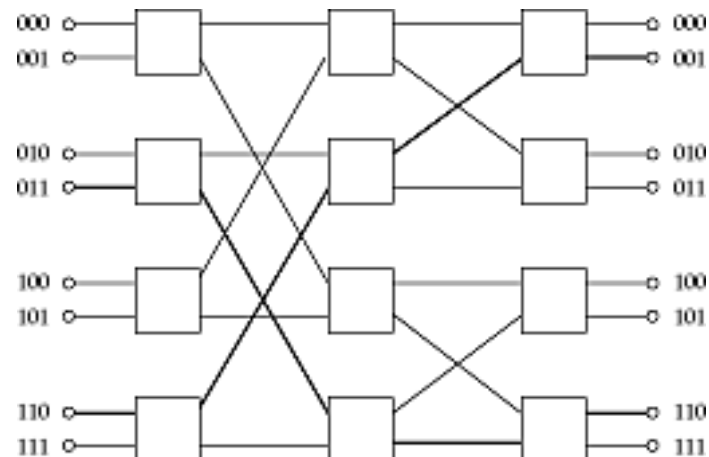
- Routing rule: if 0, send packet to upper output, else to lower output
- If both packets to same output, buffer or drop

Features of fabrics built with switching elements

- NxN switch with bxb elements has $\lceil \log_b N \rceil$ elements with $\lceil N/b \rceil$ elements per stage
- Fabric is *self routing*
- Recursive
- Can be synchronous or asynchronous
- Regular and suitable for VLSI implementation

Banyan

- Simplest self-routing recursive fabric



- (why does it work?)
- What if two packets both want to go to the same output?
 - ◆ output blocking

Blocking

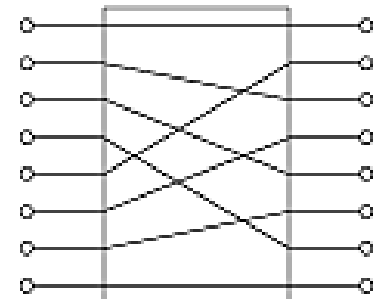
- Can avoid with a buffered banyan switch
 - ◆ but this is too expensive
 - ◆ hard to achieve zero loss even with buffers
- Instead, can check if path is available before sending packet
 - ◆ three-phase scheme
 - ◆ send requests
 - ◆ inform winners
 - ◆ send packets
- Or, use several banyan fabrics in parallel
 - ◆ intentionally misroute and tag one of a colliding pair
 - ◆ divert tagged packets to a second banyan, and so on to k stages
 - ◆ expensive
 - ◆ can reorder packets
 - ◆ output buffers have to run k times faster than input

Sorting

- Can avoid blocking by choosing order in which packets appear at input ports

- If we can

- ◆ present packets at inputs sorted by output
- ◆ remove duplicates
- ◆ remove gaps
- ◆ precede banyan with a perfect shuffle stage
- ◆ then no internal blocking

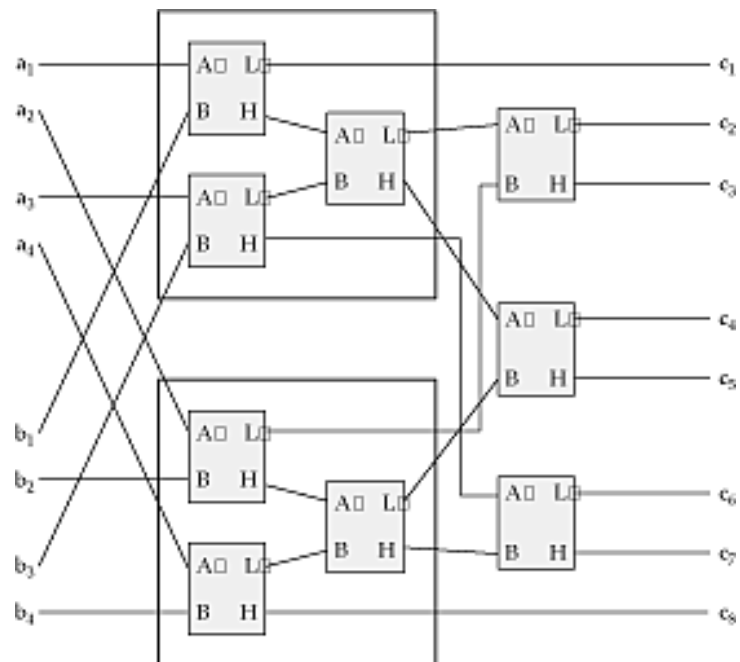


- For example, [X, 010, 010, X, 011, X, X, X] -(sort)->
[010, 011, 011, X, X, X, X, X] -(remove dups)->
[010, 011, X, X, X, X, X, X] -(shuffle)->
[010, X, 011, X, X, X, X, X]
- Need sort, shuffle, and trap networks

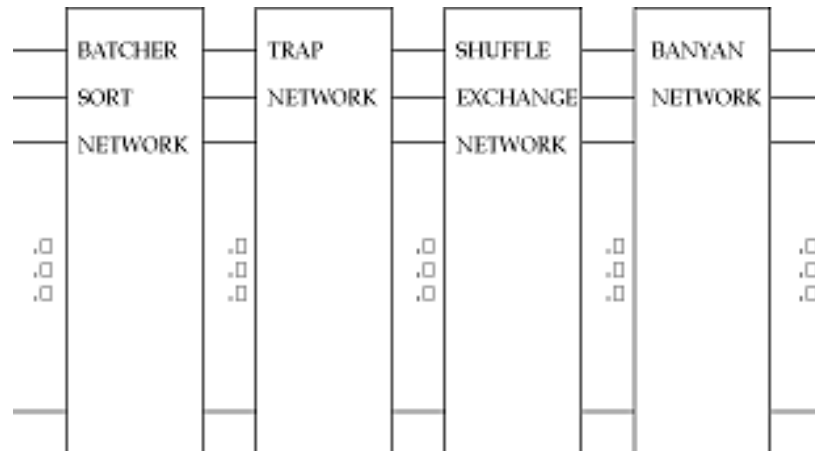
Sorting

- Build sorters from merge networks
- Assume we can merge two sorted lists
- Sort pairwise, merge, recurse

Merging



Putting it together- Batcher Banyan



- What about trapped duplicates?
 - ◆ recirculate to beginning
 - ◆ or run output of trap to multiple banyans (*dilation*)

Effect of packet size on switching fabrics

- A major motivation for small fixed packet size in ATM is ease of building large parallel fabrics
- In general, smaller size => more per-packet overhead, but more preemption points/sec
 - ◆ At high speeds, overhead dominates!
- Fixed size packets helps build synchronous switch
 - ◆ But we could fragment at entry and reassemble at exit
 - ◆ Or build an asynchronous fabric
 - ◆ Thus, variable size doesn't hurt too much
- Maybe Internet routers can be almost as cost-effective as ATM switches

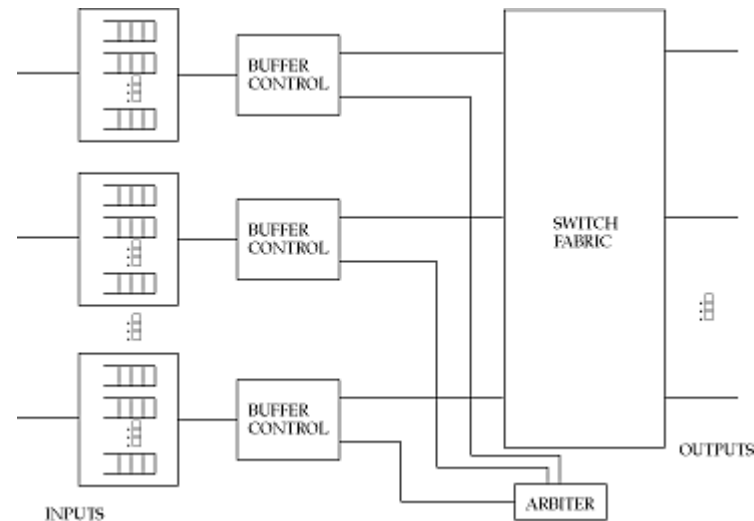
Outline

- Circuit switching
- Packet switching
 - ◆ Switch generations
 - ◆ Switch fabrics
 - ◆ **Buffer placement**
 - ◆ Multicast switches

Buffering

- All packet switches need buffers to match input rate to service rate
 - ◆ or cause heavy packet loses
- Where should we place buffers?
 - ◆ input
 - ◆ in the fabric
 - ◆ output
 - ◆ shared

Input buffering (input queueing)

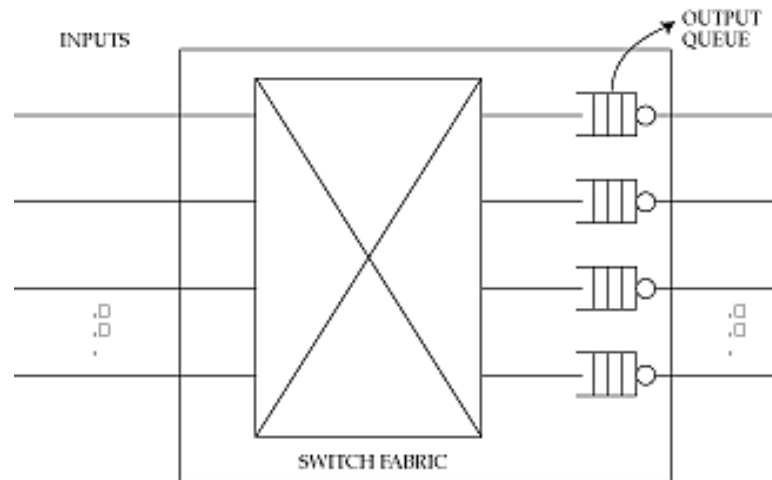


- No speedup in buffers or trunks (unlike output queued switch)
- Needs arbiter
- Problem: *head of line blocking*
 - ◆ with randomly distributed packets, utilization at most 58.6%
 - ◆ worse with *hot spots*

Dealing with HOL blocking

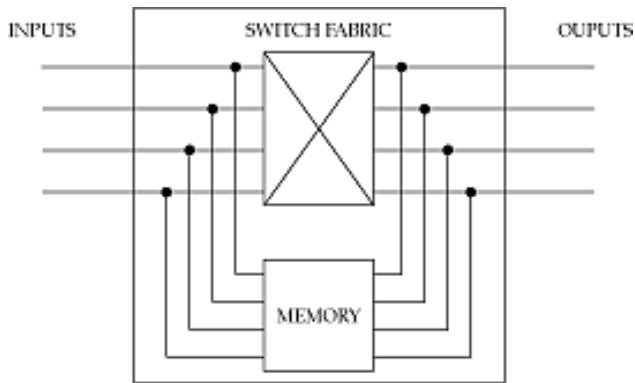
- Per-output queues at inputs
- Arbiter must choose one of the input ports for each output port
- How to select?
- Parallel Iterated Matching
 - ◆ inputs tell arbiter which outputs they are interested in
 - ◆ output selects one of the inputs
 - ◆ some inputs may get more than one *grant*, others may get none
 - ◆ if >1 grant, input picks one at random, and tells output
 - ◆ losing inputs and outputs try again
- Used in DEC Autonet 2 switch

Output queueing



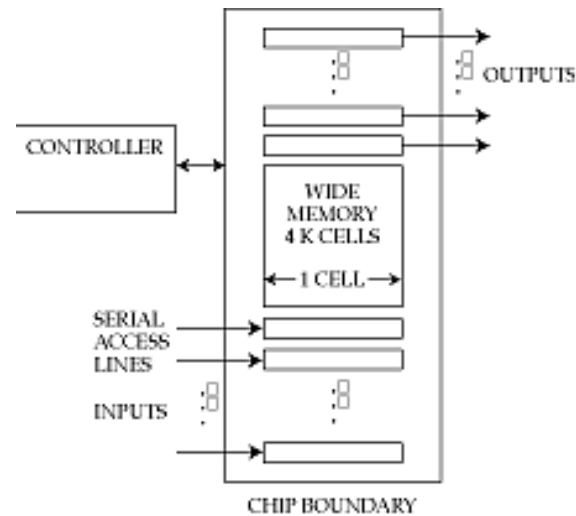
- Don't suffer from head-of-line blocking
- But output buffers need to run much faster than trunk speed (why?)
- Can reduce some of the cost by using the *knockout* principle
 - ◆ unlikely that all N inputs will have packets for the same output
 - ◆ drop extra packets, fairly distributing losses among inputs

Shared memory



- Route only the header to output port
- Bottleneck is time taken to read and write multiported memory
- Doesn't scale to large switches
- But can form an element in a multistage switch

Datapath: clever shared memory design



- Reduces read/write cost by doing wide reads and writes
- 1.2 Gbps switch for \$50 parts cost

Buffered fabric

- Buffers in each switch element
- Pros
 - ◆ Speed up is only as much as fan-in
 - ◆ Hardware backpressure reduces buffer requirements
- Cons
 - ◆ costly (unless using single-chip switches)
 - ◆ scheduling is hard

Hybrid solutions

- Buffers at more than one point
- Becomes hard to analyze and manage
- But common in practice

Outline

- Circuit switching
- Packet switching
 - ◆ Switch generations
 - ◆ Switch fabrics
 - ◆ Buffer placement
 - ◆ **Multicast switches**

Multicasting

- Useful to do this in hardware
- Assume portmapper knows list of outputs
- Incoming packet must be copied to these output ports
- Two subproblems
 - ◆ generating and distributing copies
 - ◆ VCI translation for the copies

Generating and distributing copies

- Either implicit or explicit
- Implicit
 - ◆ suitable for bus-based, ring-based, crossbar, or broadcast switches
 - ◆ multiple outputs enabled after placing packet on shared bus
 - ◆ used in Paris and Datapath switches
- Explicit
 - ◆ need to copy a packet at switch elements
 - ◆ use a *copy* network
 - ◆ place # of copies in tag
 - ◆ element copies to both outputs and decrements count on one of them
 - ◆ collect copies at outputs
- Both schemes increase blocking probability

Header translation

- Normally, in-VCI to out-VCI translation can be done either at input or output
- With multicasting, translation easier at output port (why?)
- Use separate port mapping and translation tables
- Input maps a VCI to a set of output ports
- Output port swaps VCI
- Need to do two lookups per packet