

Not-So-Mini-Lecture 14

Loops

Example: Summing the Elements of a List

```
def sum(thelist):
```

```
    """Returns: the sum of all elements in thelist
```

```
    Precondition: thelist is a list of all numbers  
    (either floats or ints)"""
```

```
    pass # Stub to be implemented
```

Remember our approach:
Outline first; then implement

Example: Summing the Elements of a List

```
def sum(thelist):
```

```
    """Returns: the sum of all elements in thelist
```

```
    Precondition: thelist is a list of all numbers  
    (either floats or ints)"""
```

```
    # Create a variable to hold result (start at 0)
```

```
    # Add each list element to variable
```

```
    # Return the variable
```

Example: Summing the Elements of a List

```
def sum(thelist):
```

```
    """Returns: the sum of all elements in thelist
```

```
    Precondition: thelist is a list of all numbers  
    (either floats or ints)"""
```

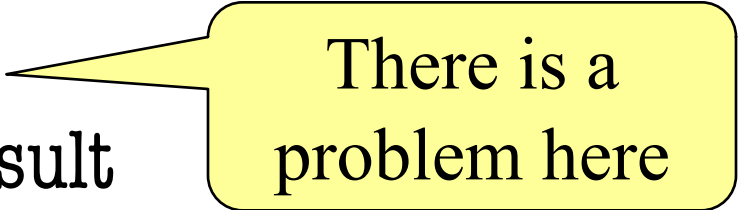
```
    result = 0
```

```
    result = result + thelist[0]
```

```
    result = result + thelist[1]
```

```
    ...
```

```
    return result
```



There is a
problem here

For Loops: Processing Sequences

```
# Print contents of seq
x = seq[0]
print(x)
x = seq[1]
print(x)
...
x = seq[len(seq)-1]
print(x)
```

- **Remember:**
 - Cannot program ...

The for-loop:

```
for x in seq:
    print(x)
```

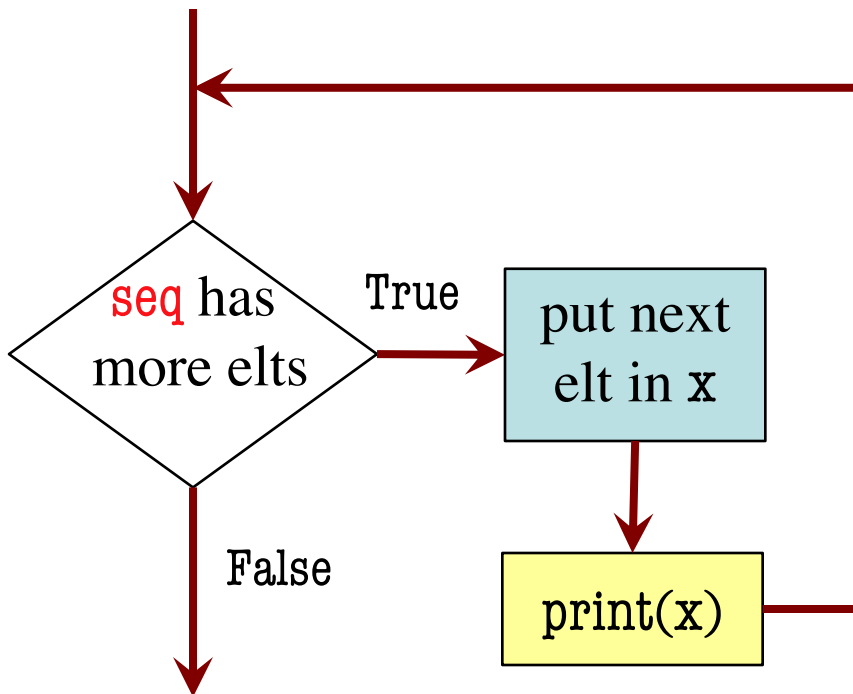
- Key Concepts
 - **loop sequence:** seq
 - **loop variable:** x
 - **body:** print(x)
 - Also called **repetend**

For Loops: Processing Sequences

The for-loop:

```
for x in seq:  
    print(x)
```

- **loop sequence:** `seq`
- **loop variable:** `x`
- **body:** `print(x)`



To execute the for-loop:

1. Check if there is a “next” element of **loop sequence**
2. If not, terminate execution
3. Otherwise, put the element in the **loop variable**
4. Execute all of **the body**
5. Repeat as long as 1 is true

Example: Summing the Elements of a List

```
def sum(thelist):
```

```
    """Returns: the sum of all elements in thelist
```

```
    Precondition: thelist is a list of all numbers  
    (either floats or ints)"""
```

```
    # Create a variable to hold result (start at 0)
```

```
    # Add each list element to variable
```

```
    # Return the variable
```

Example: Summing the Elements of a List

```
def sum(thelist):
```

```
    """Returns: the sum of all elements in thelist
```

```
    Precondition: thelist is a list of all numbers  
    (either floats or ints)"""
```

```
    result = 0
```

```
    for x in thelist:
```

```
        result = result + x
```

```
    return result
```

- **loop sequence:** thelist
- **loop variable:** x
- **body:** result=result+x

Example: Summing the Elements of a List

```
def sum(thelist):
```

```
    """Returns: the sum of all elements in thelist
```

```
    Precondition: thelist is a list of all numbers  
    (either floats or ints)"""
```

```
    result = 0
```

Accumulator
variable

```
    for x in thelist:
```

```
        | result = result + x
```

```
    return result
```

- **loop sequence:** thelist
- **loop variable:** x
- **body:** result=result+x

For Loops and Conditionals

```
def num_ints(thelist):
```

```
    """Returns: the number of ints in thelist
```

```
    Precondition: thelist is a list of any mix of types"""
```

```
    # Create a variable to hold result (start at 0)
```

```
    # for each element in the list...
```

```
        # check if it is an int
```

```
        # add 1 if it is
```

```
    # Return the variable
```

For Loops and Conditionals

```
def num_ints(thelist):
```

```
    """Returns: the number of ints in thelist
```

```
    Precondition: thelist is a list of any mix of types"""
```

```
    result = 0
```

```
    for x in thelist:
```

```
        if type(x) == int:
            result = result+1
```



Body

```
    return result
```

Modifying the Contents of a List

```
def add_one(thelist):
```

```
    """(Procedure) Adds 1 to every element in the list  
    Precondition: thelist is a list of all numbers  
    (either floats or ints)"""
```

```
    for x in thelist:
```

```
        x = x+1
```

```
    # procedure; no return
```

DOES NOT WORK!

For Loops and Call Frames

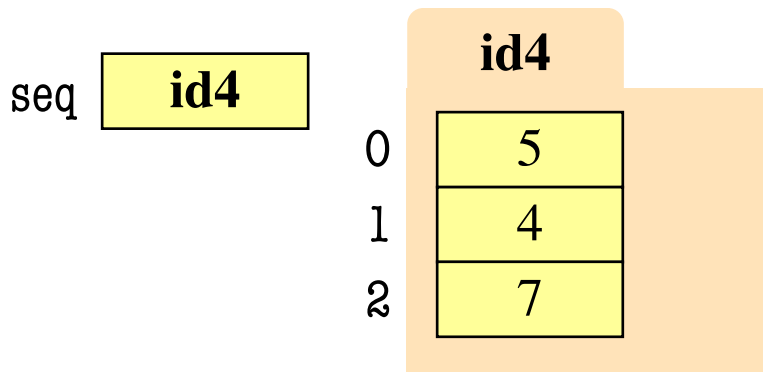
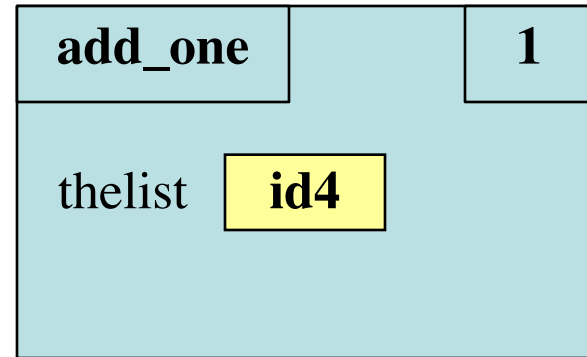
```
def add_one(thelist):
```

```
    """Adds 1 to every elt  
    Pre: thelist is all numb."""
```

```
1 for x in thelist:
```

```
2     x = x+1
```

```
add_one(seq):
```



For Loops and Call Frames

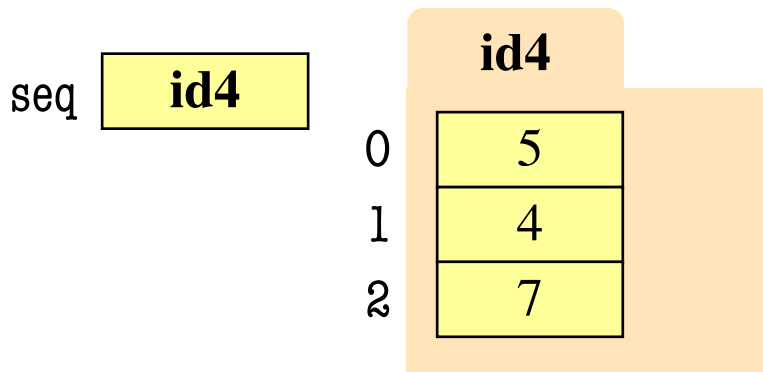
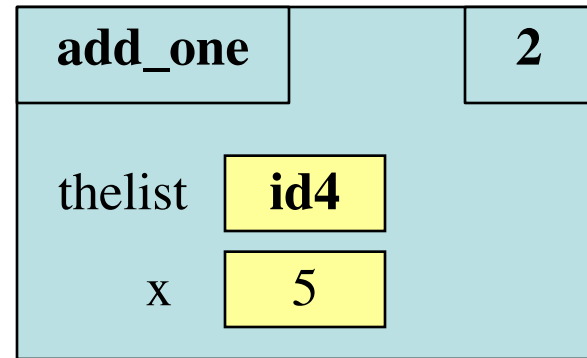
```
def add_one(thelist):
```

```
    """Adds 1 to every elt  
    Pre: thelist is all numb."""
```

```
1 for x in thelist:
```

```
2     x = x+1
```

```
add_one(seq):
```

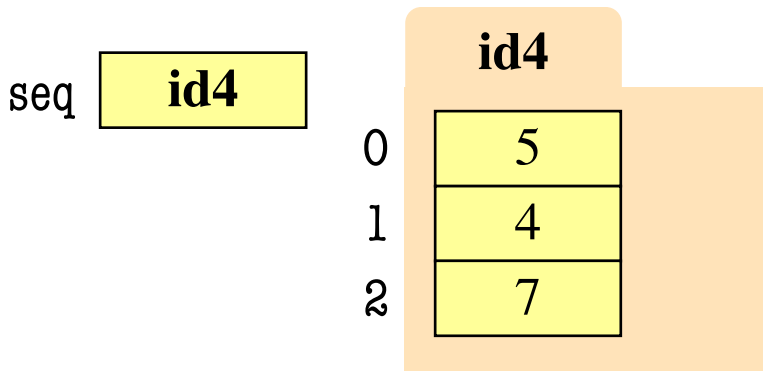
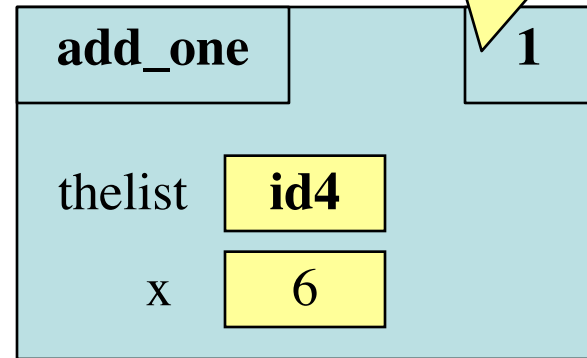


For Loops and Call Frames

```
def add_one(thelist):  
    """Adds 1 to every elt  
    Pre: thelist is all numb."""  
1   for x in thelist:  
2   |   x = x+1
```

add_one(seq):

Loop back to line 1



Increments x in **frame**
Does not affect folder

For Loops and Call Frames

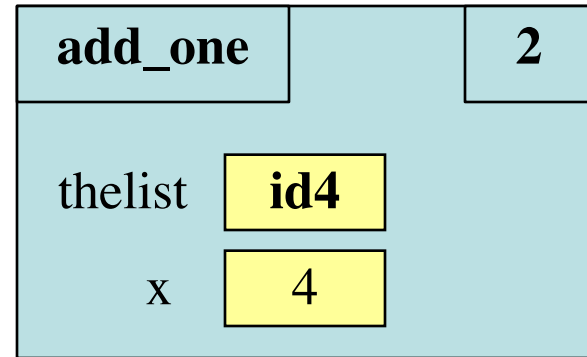
```
def add_one(thelist):
```

```
    """Adds 1 to every elt  
    Pre: thelist is all numb."""
```

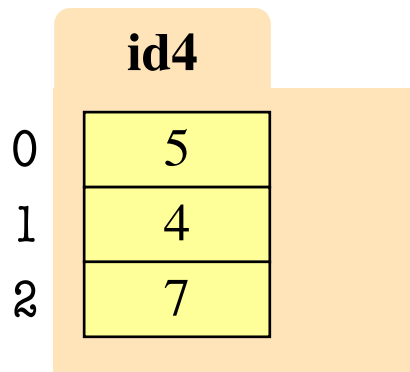
```
1 for x in thelist:
```

```
2     x = x+1
```

```
add_one(seq):
```



seq **id4**



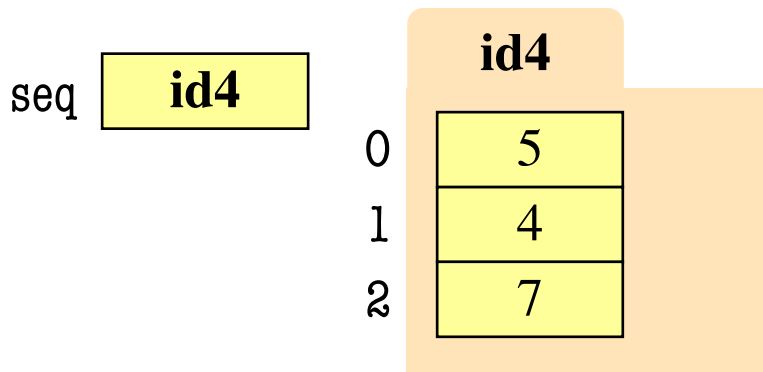
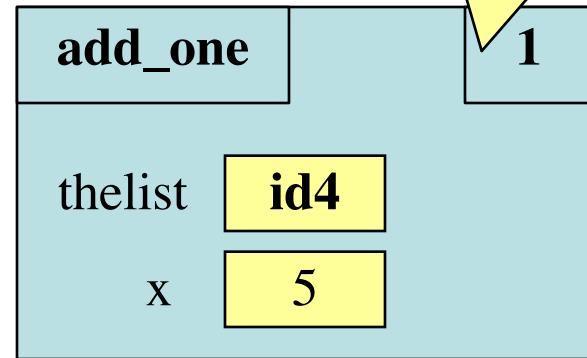
Next element stored in x.
Previous calculation lost.

For Loops and Call Frames

```
def add_one(thelist):  
    """Adds 1 to every elt  
    Pre: thelist is all numb."""  
1   for x in thelist:  
2   |   x = x+1
```

add_one(seq):

Loop back to line 1



For Loops and Call Frames

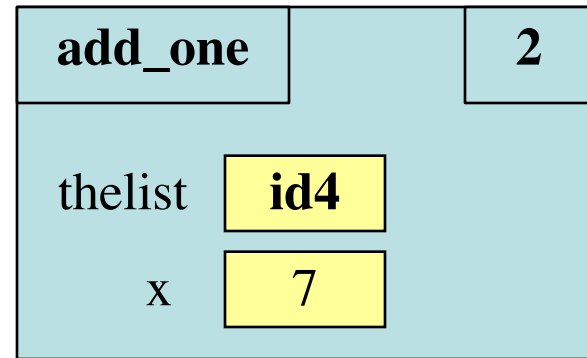
```
def add_one(thelist):
```

```
    """Adds 1 to every elt  
    Pre: thelist is all numb."""
```

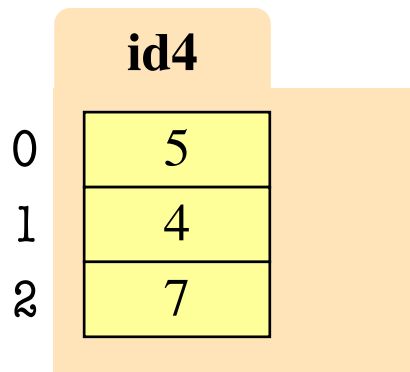
```
1 for x in thelist:
```

```
2     x = x+1
```

```
add_one(seq):
```



seq **id4**



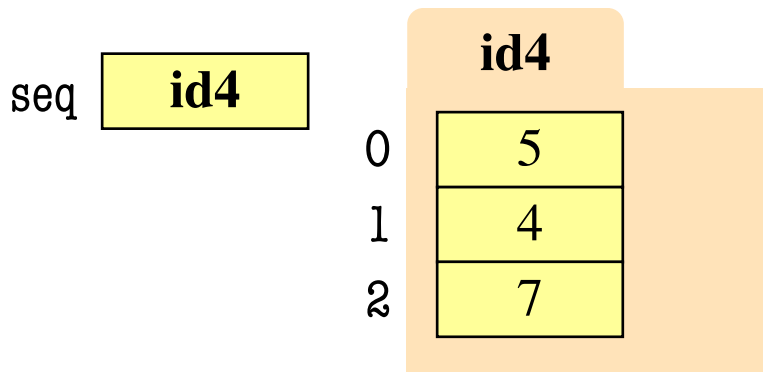
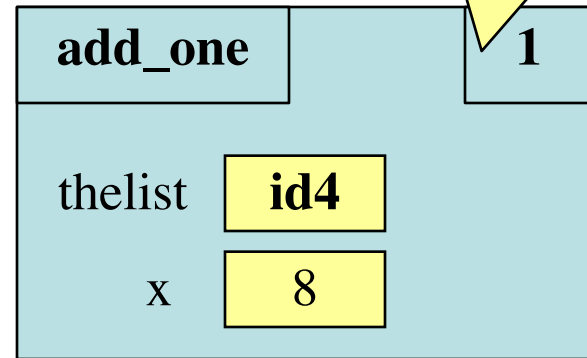
Next element stored in x.
Previous calculation lost.

For Loops and Call Frames

```
def add_one(thelist):  
    """Adds 1 to every elt  
    Pre: thelist is all numb."""  
1   for x in thelist:  
2   |   x = x+1
```

add_one(seq):

Loop back to line 1



For Loops and Call Frames

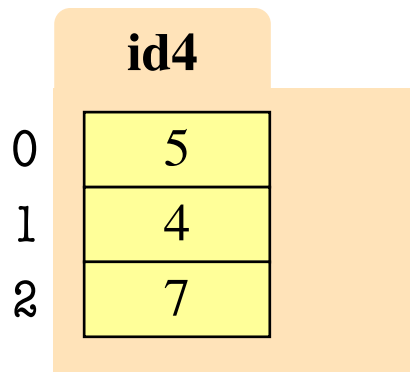
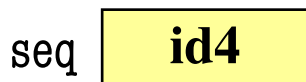
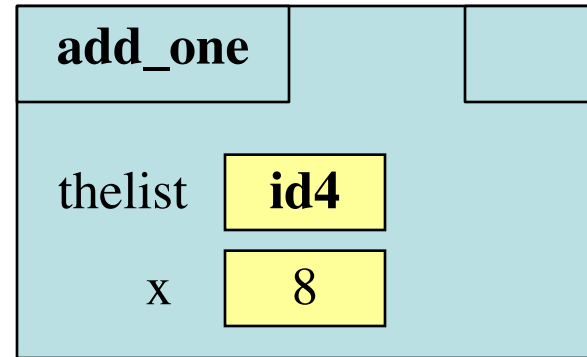
```
def add_one(thelist):
```

```
    """Adds 1 to every elt  
    Pre: thelist is all numb."""
```

```
1 for x in thelist:
```

```
2     x = x+1
```

```
add_one(seq):
```



Loop is **completed**.
Nothing new put in x.

For Loops and Call Frames

```
def add_one(thelist):
```

```
    """Adds 1 to every elt  
    Pre: thelist is all numb."""
```

```
1   for x in thelist:
```

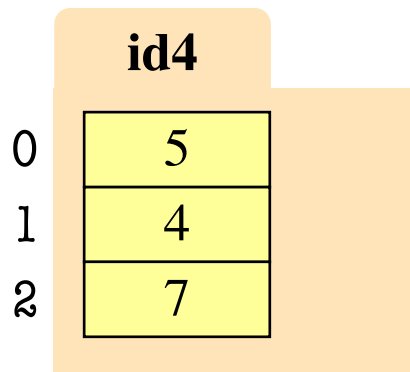
```
2   |   x = x+1
```

```
add_one(seq):
```

ERASE WHOLE FRAME

seq

id4



No changes
to folder

On The Other Hand

```
def copy_add_one(thelist):
```

```
    """Returns: copy with 1 added to every element
```

```
    Precondition: thelist is a list of all numbers  
    (either floats or ints)"""
```

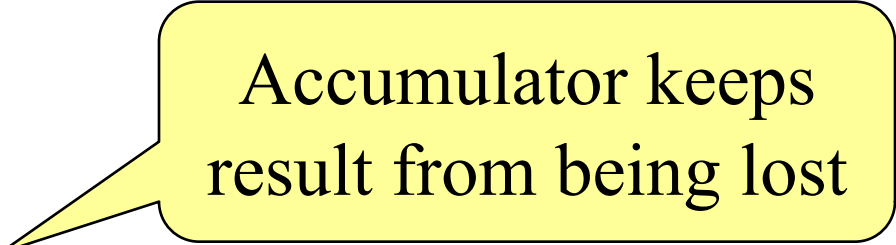
```
    mycopy = [] # accumulator
```

```
    for x in thelist:
```

```
        x = x+1
```

```
        mycopy.append(x) # add to end of accumulator
```

```
    return mycopy
```



Accumulator keeps
result from being lost

How Can We Modify A List?

- **Never** modify loop var!
- This is an infinite loop:
- Need a second sequence
- How about the *positions*?

```
for x in thelist:  
    thelist.append(1)
```

```
thelist = [5, 2, 7, 1]  
thepos = [0, 1, 2, 3]
```

Try this in Python Tutor
to see what happens

```
for x in thepos:  
    thelist[x] = x+1
```

How Can We Modify A List?

- **Never** modify loop var!
- This is an infinite loop:
- Need a second sequence
- How about the *positions*?

```
for x in thelist:  
    thelist.append(1)
```

```
thelist = [5, 2, 7, 1]  
theupos = [0, 1, 2, 3]
```

Try this in Python Tutor
to see what happens

```
for x in theupos:  
    thelist[x] = x+1
```


The Range Function

- `range(x)`
 - Creates an iterable
 - Stores `[0,1,...,x-1]`
 - **But not a list!**
 - But try `list(range(x))`
- `range(a,b)`
 - Stores `[a,...,b-1]`
- `range(a,b,n)`
 - Stores `[a,a+n,...,b-1]`

- Very versatile tool
- Great for processing ints

Accumulator

`total = 0`

`# add the squares of ints`
`# in range 2..200 to total`

`for x in range(2,201):`

`total = total + x*x`