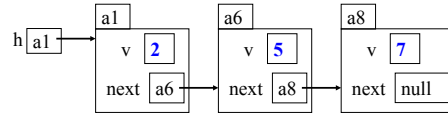


Announcements

- A3 will available on Piazza tomorrow. Refer often to the Piazza FAQ Note for A3.
- Please read the assignment A3 FAQ Notes on the Piazza before asking a question. It might already be answered.

Assignment A3: Linked Lists

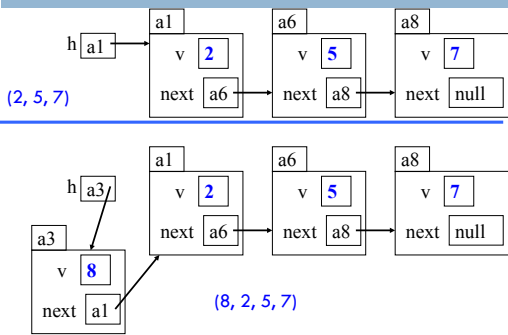
Idea: maintain a list (2, 5, 7) like this:



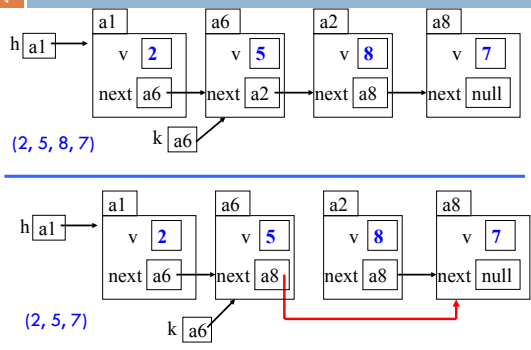
This is a singly linked list

To save space, we write names like a6 instead of N@35abcd00

How to insert a node at the beginning



How to remove successor of a node in the middle



Assignment A3: Generics

```

public class LinkedList {
    void add(Object elem) {...}
    Object get(int index) {...}
}
// Values of linked list are of class Object

public class LinkedList<E> {
    void add(E elem) {...}
    E get(int index) {...}
}
// You can specify what type of values

ns = new LinkedList<Integer>(); ss = new LinkedList<String>();
ns.add("Hello"); // error      ss.add("Hello");
ns.add(5);        ss.add(5); // error
String s = ns.get(0); // error String s = ss.get(0);
int n = ns.get(0);   int n = ss.get(0); // error
    
```